

## Project Cost Estimator

Materials Description	Quantity	Cost
90x45mm Treated Pine (total approx. 17.5m)		
140x20mm Treated Pine (total approx. 23.5m)		
140x45mm Treated Pine (total approx. 20.8m)		
2100x700x16mm Exterior Plywood		
3.6m sheet Corrugated Roofing (galvanised/fibreglass/laserlite)		
Galvanised roofing screws		
38mm galvanised screws		
75mm galvanised screws		
Paint or Timber Finish (optional)		
<b>Equipment</b>		
Hand or Power Saw		
Drill		
Screwdriver		
Measuring Tape		
Carpenter's Square		
Sliding Bevel (optional)		
<b>Total</b>		

All these materials you need for this job are available at Magnet Mart, your home improvement warehouse.

Note: Due to the general nature of this advice and its individual application, neither the publisher nor the retailer assumes any responsibility for any loss, damage, injury or expense which may be incurred or suffered as a result of the use of this pamphlet.

© Magnet Mart 2003



**Phillip** Hindmarsh Dr Ph 6281 1744 Fax 6285 2493  
**Belconnen** Lathlain St Ph 6251 4622 Fax 6253 1087  
**Mitchell** Vicars St Ph 6241 7311 Fax 6241 7545  
**Gungahlin** Crinigan Cir Ph 6228 9300 Fax 6228 9311  
**Queanbeyan** Yass Rd Ph 6297 8711 Fax 6299 2226  
**Goulburn** Sloane St Ph 4821 3533 Fax 4821 7347  
**Bowral** Bong Bong St Ph 4861 2355 Fax 4862 1066

# Build a Garden Workbench



- Easy to follow step-by-step guide
- Important and handy tips
- Materials check list
- Project Cost Estimator

Before you start, please read through this pamphlet carefully and estimate and assemble all the materials you will need for the project and gather your tools and equipment together. Refer to the checklist and estimating form on the back panel of the pamphlet to assist in this preparation.

## You Can Build a Garden Workbench

### A Convenient Workspace in the Garden

Potting plants and seedlings always leaves a bit of a mess, and if you're like most people you probably don't have a dedicated space for these gardening jobs. This project is well within the reach of anyone with a few simple hand tools and a weekend to spare. You can customise your workbench over time to create a valuable workspace – where you can have all your tools and materials easily to hand.

The garden workbench measures 2100mm wide by 1800mm high at the rear. Note that all the measurements in this brochure may be changed to suit your available space or needs, remember that if you change one part of the design, check to see if it will affect the rest of the bench.

#### Choice of Materials

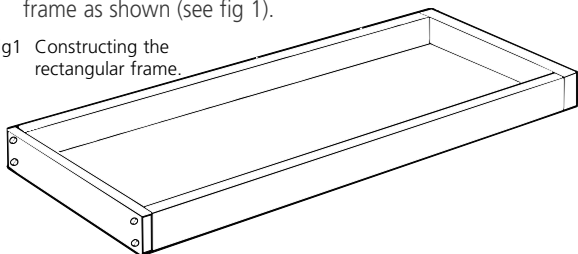
For the purposes of this brochure, we have created the workbench using treated pine timber for its durability and low cost. Other timbers can offer similar durability and may better suit your needs. These timbers can be found at your local Magnet Mart store.

**Important note:** Remember when using treated pine that the dust raised by cutting or shaping treated timber may contain toxins – please wear a dust mask and goggles when using power tools and wash your hands after working with treated pine. Never burn treated pine offcuts as the smoke and ash will also contain toxins. Any scraps or waste must be disposed of at a trade waste facility or by burial.

#### Construct the Base and Shelf Frames

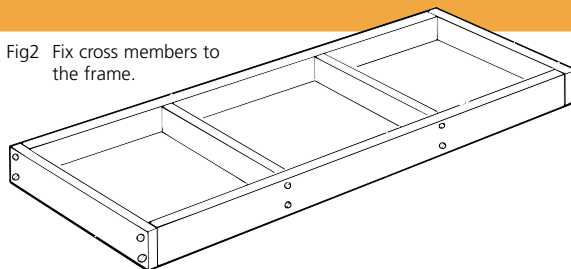
- For the base frame, mark out and cut two pieces of 140x45mm treated pine to length at 2055mm and two pieces at 655mm, ensuring the edges are square. Using 75mm galvanised screws, fix the pieces to form a rectangular frame as shown (see fig 1).

Fig1 Constructing the rectangular frame.



- Now mark out and cut two 140x45mm treated pine cross members to strengthen the frame, these pieces will be approximately 610mm long, check measure your frame to ensure the cross members will fit neatly. Fix the cross members squarely in place with 75mm screws at 700mm in

Fig2 Fix cross members to the frame.



from each end of the frame (see fig 2). Ensure that the cross members are flush with the top of the frame.

- For the shelf frame proceed as above, cutting two pieces of 90x45mm treated pine to 2055mm long and two pieces to 655mm long. Screw the frame together as above and fit two cross members 700mm in from each end as you did for the base frame (see fig 2).

#### Connect the frames

- Mark out and cut two shelf frame support pieces of 90x45mm treated pine at 895mm lengths. Fix in place on the base frame as shown, ensuring the supports are square (see fig 3).

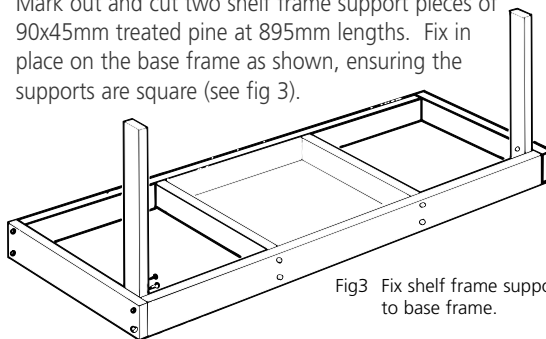
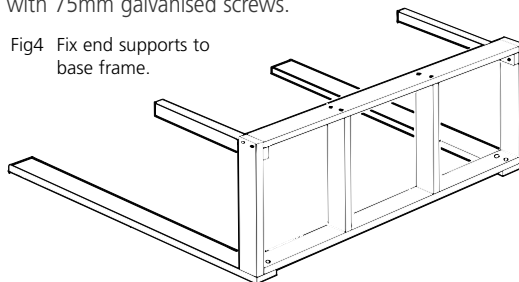


Fig3 Fix shelf frame support to base frame.

- Mark out and cut two pieces of 140x45mm treated pine at 1800mm lengths. These two pieces will form the end supports between the base and shelf.
- Place the two long end supports on flat ground parallel to each other and lay the base frame on top (see fig 4), check that the supports are square to the frame and fix in place with 75mm galvanised screws.

Fig4 Fix end supports to base frame.



- Measure 895mm up each rear support piece and mark. Now fit the shelf frame in place so that the front supports fit inside the front of the shelf frame and the frame aligns with the marks on the rear support pieces (see fig 5). Once you have squarely aligned the shelf frame, base frame and support pieces, screw the support pieces to the shelf frame (use 2 screws at each join) and drive an extra screw into each end of the base frame (see fig 5).
- Turn the framework upright and check that all is square and solid (see fig 6).

Fig5 Fix the top shelf frame.

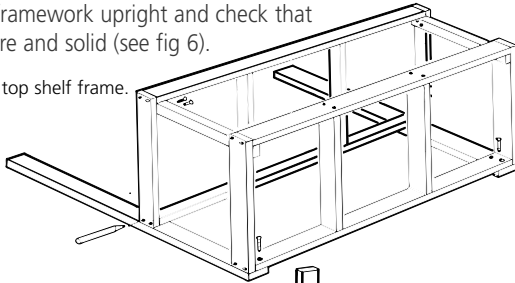
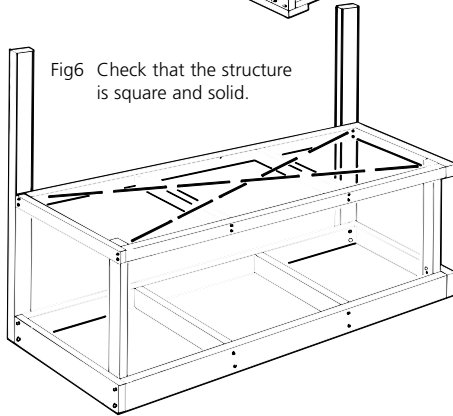


Fig6 Check that the structure is square and solid.



### Fixing Base, Shelf & Back

- Starting with the base, mark out and cut four 2100mm lengths of 140x45mm treated pine and screw fix to the base frame members starting from the rear and ensuring the boards butt firmly against each other (see fig 7).

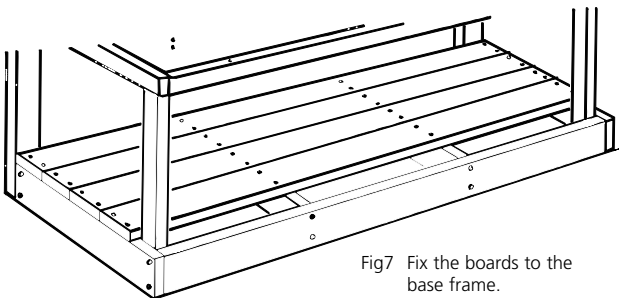


Fig7 Fix the boards to the base frame.

- Cut two 140mm pieces of scrap 90x45mm treated pine and screw to the inside face of the front shelf support (see fig 8). These two pieces will support the front base board.

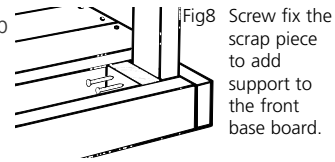


Fig8 Screw fix the scrap piece to add support to the front base board.

- Mark out and cut one 1920mm length of 140x45mm treated pine and screw fix in place on the base frame (see fig 9). Pre-drill and drive the screws at each end in at an angle towards the shelf support upright as shown.

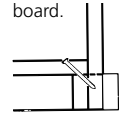


Fig9 Fix the front base board.

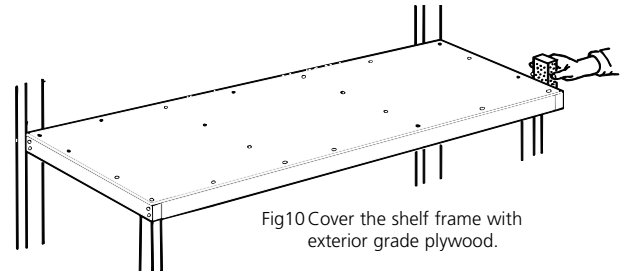


Fig10 Cover the shelf frame with exterior grade plywood.

- Cover the shelf frame with 16mm exterior grade plywood measuring 2100x700mm, screw to the frame members and sand the side and front edges smooth (see fig 10). Your local Magnet Mart store can cut this sheet to size.

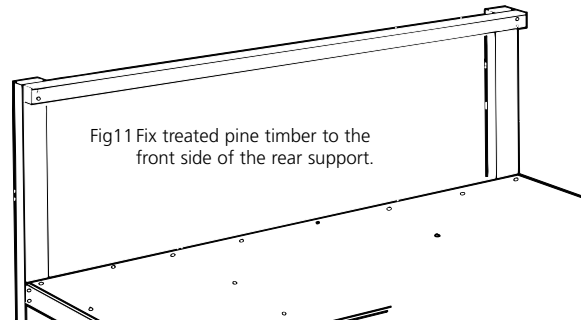


Fig11 Fix treated pine timber to the front side of the rear support.

- Mark out and cut one 2100mm length of 90x45mm treated pine and screw fix to the tops of the rear supports (see fig 11).

- Mark out and cut thirteen 1800mm pieces of 140x20mm treated pine for the back and screw fix to the base frame, shelf frame and top member to form the back of the workbench (see fig 12).

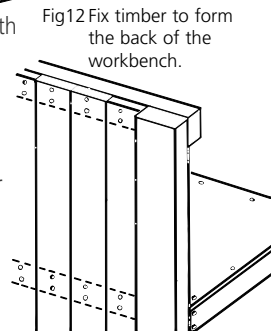


Fig12 Fix timber to form the back of the workbench.

## Making the Roof

- Mark out and cut two 815mm lengths of 90x45mm treated pine for the side roof supports (see fig 13).

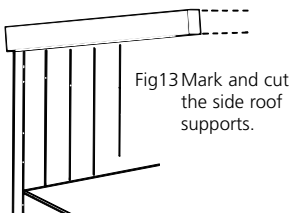


Fig 13 Mark and cut the side roof supports.

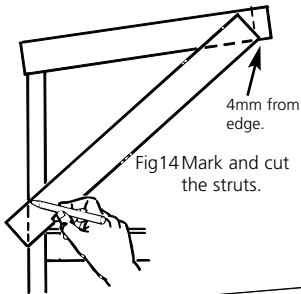


Fig 14 Mark and cut the struts.

- With the help of an assistant, clamp one of the roof supports at the top of the rear wall of the workbench. Tilt the support by approximately  $10^{\circ}$  to  $15^{\circ}$  so that the roof will slope towards the rear of the structure (see fig 14).

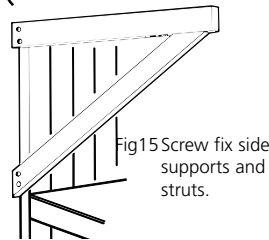
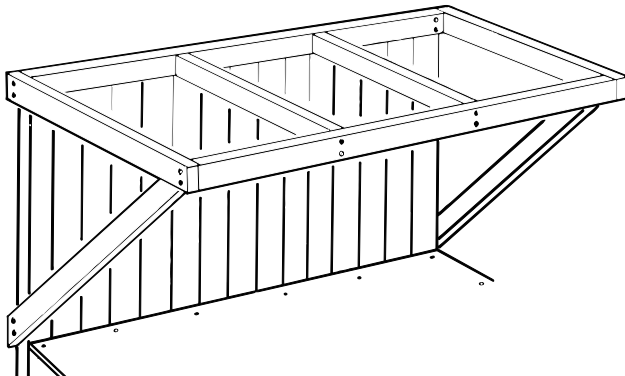


Fig 15 Screw fix side supports and struts.

- For the side struts, cut two pieces of 90x45mm treated pine to 1300mm length. Mark and cut one piece to suit by holding against the side frame as shown in fig 14. Use this as a template to cut the second strut. Fix the roof support structure in place as shown (see fig 15).
- Mark out and cut one 2010mm long piece of 90x45mm treated pine and screw between the two side supports (see fig 16).
- Measure the distance between the front and rear members of the roof structure and cut two cross members from 90x45mm treated pine to fit snugly at 760mm in from each end of the roof frame (see fig 16).

Fig 16 Fix the front member and cross members.



## Fixing the Roof Covering

- You can choose the roof covering that best suits your needs from a range of alternatives at your local Magnet Mart store. Fibreglass sheet or corrugated iron are reasonably priced with fibreglass being easier to cut and fix.
- One 3.6metre sheet of roofing material will cover the entire workbench roof, simply cut the sheet into three equal lengths and fix to the roof frame with roofing screws and washers. Remember to screw through the 'hill' of the corrugated material into the frame members and overlap the corrugations by one and one half (see fig 17).

## Finishing Touches

- Complete your garden workbench by installing a tool rack or shelf on the rear wall for handy access to your most used gardening tools, seed packs and small pots.
- Treated pine does not need finishing and will weather over time to an even grey-green colour. If you wish, a couple of coats of paint will add to the appearance of your workbench and keep it looking neat for years.

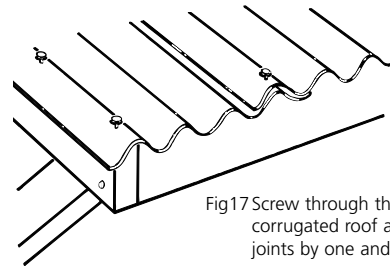


Fig 17 Screw through the 'hill' of the corrugated roof and overlap the joints by one and one half.

